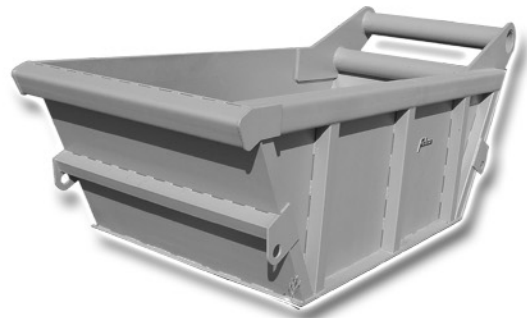




OWNER'S MANUAL



FELCO Industries
3660 Grant Creek Rd.
Missoula, MT 59808

1-800-221-5427
Fax 406-728-9196
www.felco-ind.com

VIBRATORY COMPACTION BUCKET

OWNER'S MANUAL



www.felco-ind.com

FELCO

3660 GRANT CREEK RD. MISSOULA, MONTANA 59808
PHONE: 1-800-221-5427 FAX: (406) 728-9196
1-406-728-9103 E-MAIL: service@felco-ind.com

IMPORTANT SAFETY INFORMATION



notices alert the reader to procedures which may result in **death** if not observed.



notices alert the reader to procedures, which may result in **bodily injury** if not observed.



notices alert the reader to procedures which may result in **equipment damage** if not observed.



1. Operators and service personnel must read, understand and comply with the FELCO OWNER'S MANUAL.
2. Keep personnel clear of the COMPACTION EQUIPMENT while in operation.
3. The COMPACTION EQUIPMENT must not be operated unless the operator is in full control of the excavator. Operate the COMPACTION EQUIPMENT only from the operator's seat.
4. Service personnel must take care handling the pins and bushings when changing between buckets. The excavator operator must move the stick or boom only when directed by the service personnel.
5. If it is necessary to hammer the pins out, eye protection is required.
6. Make daily visual inspections of fasteners, pins, etc.
7. Do not make alterations to the COMPACTION EQUIPMENT without authorization from FELCO INDUSTRIES.
8. Be careful when torquing fasteners. Over-torquing may damage the fastener causing it to fail.
9. Always use proper lifting equipment and tools when servicing COMPACTION EQUIPMENT or components.

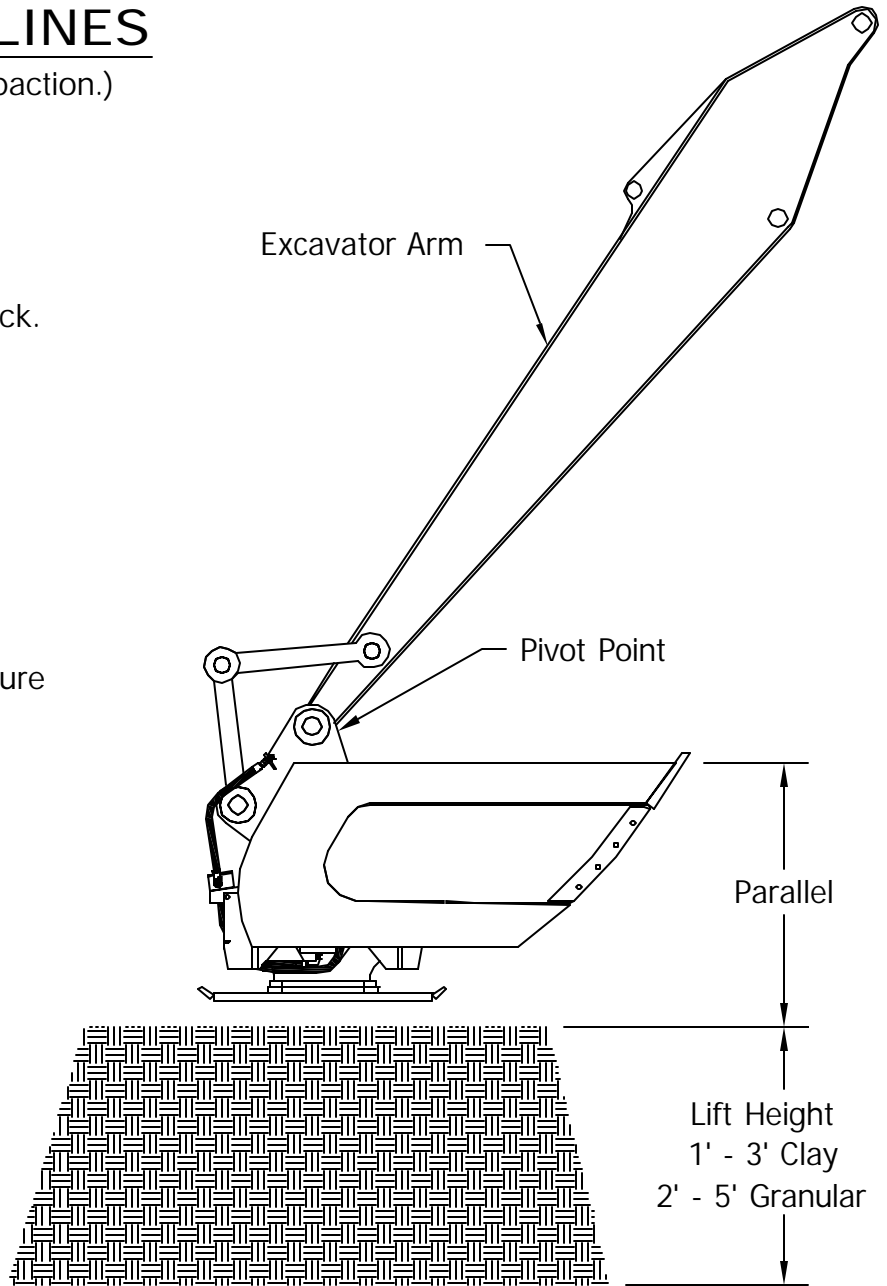
COMPACTION GUIDELINES

(Valid for both horizontal and slope compaction.)

Position the bucket so that the top surface is parallel with the surface being compacted. This will align the vibratory unit's force with the pivot point on the stick. This method applies low forces to the linkage and cylinder (within normal operating range).

If possible, start compacting near the edge of a previously compacted area. Apply down pressure and vibrate for approximately 15 seconds. Make two passes over the compaction area to ensure the highest degree of compaction is attained. Sloped compaction can be accomplished by making steps up the slope starting from the bottom.

Recommended lift heights are one to three feet for clay and two to five feet for granular material.



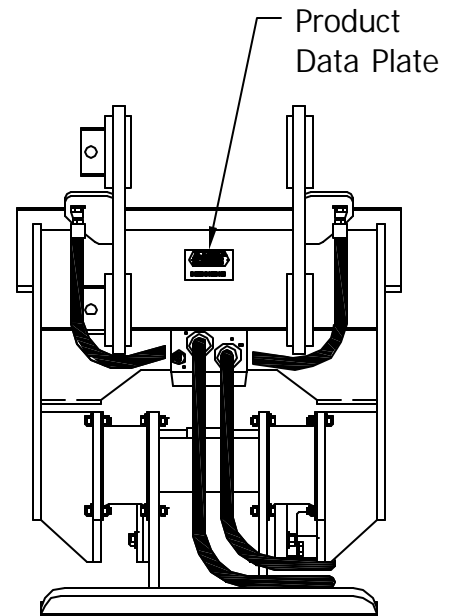
SERVICE CALLS

Felco Industries prides itself on outstanding customer service. Our service specialists are available Monday through Friday, 8:00 AM to 5:00 PM Mountain Standard Time, to assist you with service questions and parts' needs. Contact information for the Service Department is:

Felco Industries
3660 Grant Creek Rd
Missoula, MT 59808

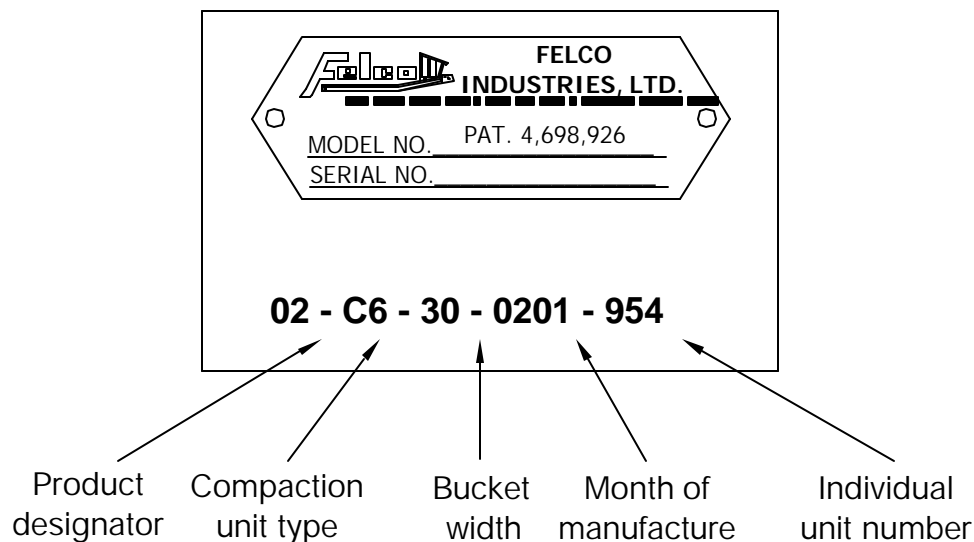
800-221-5427	Toll Free
406-728-9196	Fax
service@felco-ind.com	E-mail
www.felco-ind.com	Web Site

In order to provide you with the most accurate and timely information, we ask for the serial number of the unit in question. The serial number is found on the Product Data Plate located at the rear of the bucket between the bucket ears.



By having this information with you at the time of your call, our service specialists can pull the bucket's job file which includes all of the information specific to your bucket.

The Product Data Plate includes a data tag with our patent number and the bucket's individual serial number. The serial number contains a lot of information as described below.



SERVICE PROCEDURES

The Felco Vibratory Compaction bucket has been engineered and fabricated to provide years of quality service to meet your compaction requirements. As with any piece of equipment, daily use on a job site will cause wear of equipment parts. Felco Industries recommends that while performing your daily preoperation checks you also inspect your compaction bucket.

Some of the areas that we suggest you pay particular attention to are:

- Check all fasteners and tighten as needed. The hydraulic motor bolts require thread adhesive.
- Check rubber mounts for deterioration or cracking. Wash oil or grease from the rubber surface.
- Check for oil leakage out of the eccentric housing vent. Leakage from this vent is an indication of motor seal failure.
- If the eccentric bearings become noisy, inspect them. Noisy bearings could be an indication of insufficient lubrication.
- Do not operate the vibratory compaction unit if the carrier hydraulic tank temperature exceeds 180°F (80°C).

**** The attached Service Manual contains maintenance procedures, flow and pressure specifications, and safety requirements for the vibratory plate compaction unit. These procedures and specifications must be followed for the compaction unit warranty to remain valid. ****

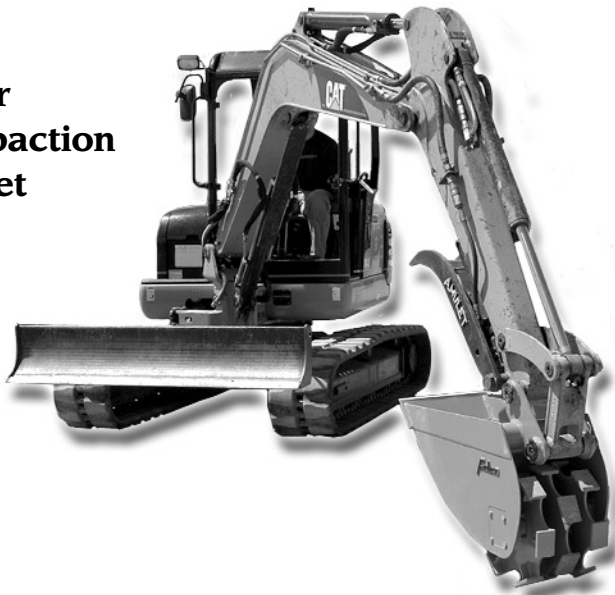
**Other
great
products
from**



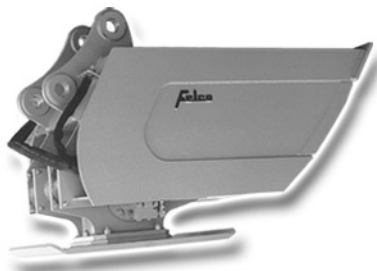
Bedding Conveyor



**Roller
Compaction
Bucket**

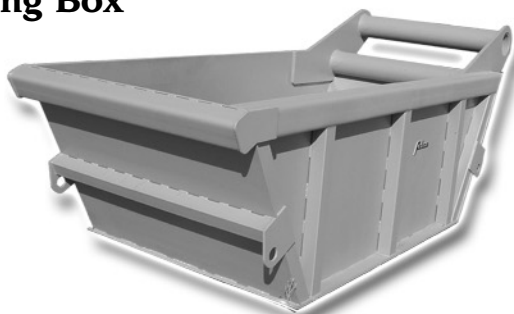


Backfill Conveyor



**Vibratory
Compaction
Bucket**

Bedding Box



**Compaction
Wheel**

FELCO Industries
3660 Grant Creek Rd.
Missoula, MT 59808

1-800-221-5427
www.felco-ind.com