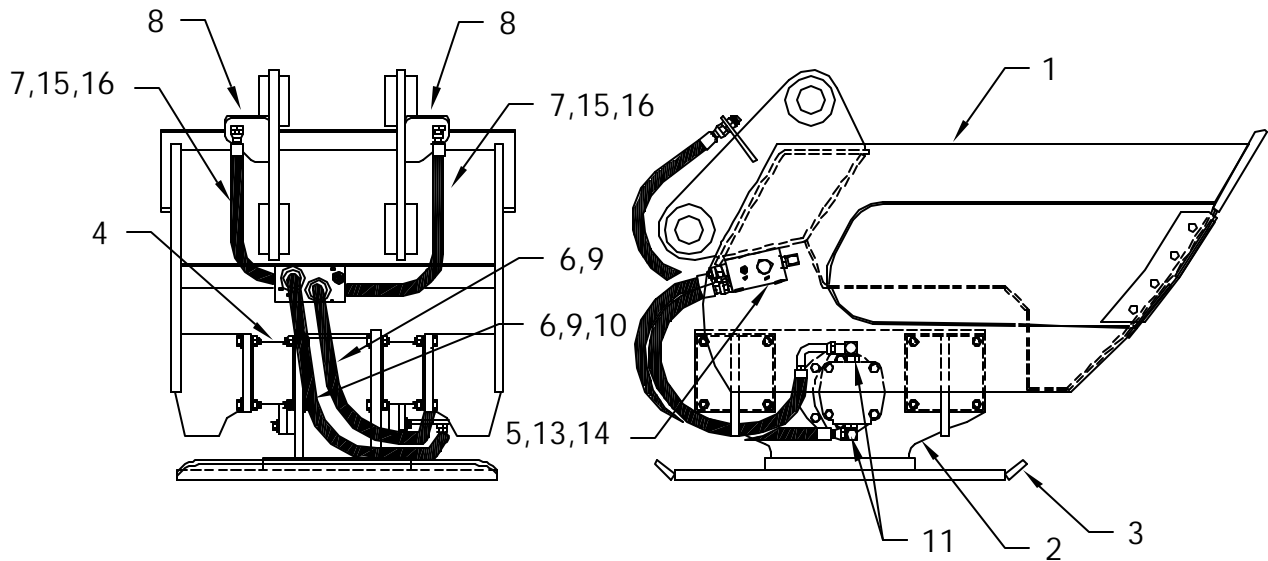
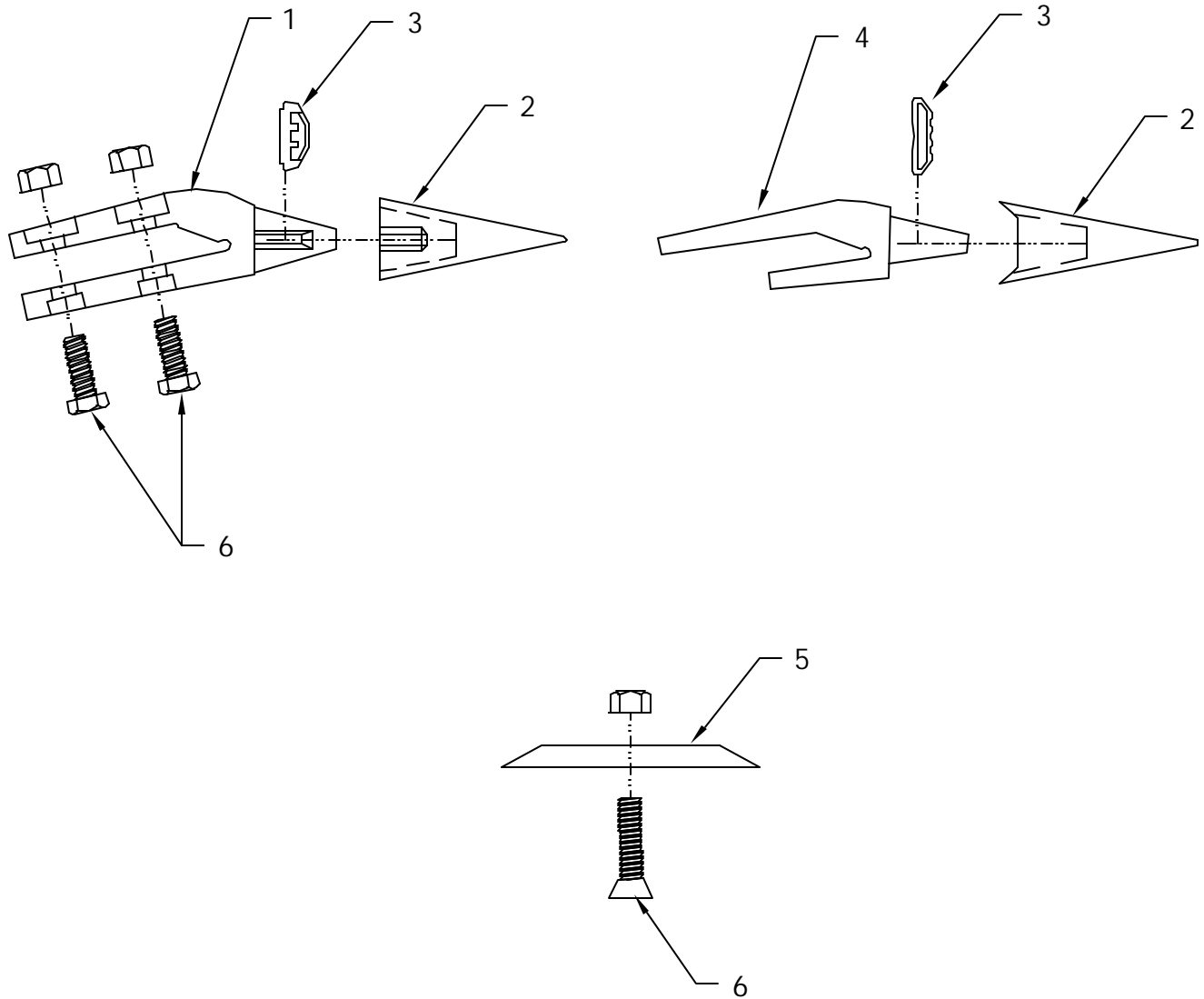


PARTS: 30 x 42 COMPACTION BUCKET W/ ALLIED 8700



ITEM	PART NUMBER	QTY	DESCRIPTION
1	203849	1	30 X 42 COMPACTION BUCKET SHELL
2	920291	1	ALLIED 8700 VIBRATOR UNIT
3	204312	1	FOOTPAD, 30" WELD ON
4	920400	4	RUBBER SHOCK MOUNT
5	927315	1	ALLIED FLOW REG. VALVE (102652)
6	918490	2	#12 SAE TYPE AT HOSE
7	918495	2	#16 SAE TYPE AT HOSE
8	923110	2	#16 BULKHEAD FITTING
9	918160	2	#12 JICF x #12 HOSE
10	918166	1	#16 JICF x #12 HOSE
11		2	#12 ORB x #12 JICM 90 DEG
12			
13		2	#20 ORB x #16 JICM 90 DEG
14	917465	2	#20 ORB x #12 JICM
15	918419	2	#16 JICF x #16 HOSE 45 DEG
16	918168	2	#16 JICF x #16 HOSE

OPTIONAL BUCKET PARTS



ITEM	PART NUMBER	QTY	DESCRIPTION
1	920471	4	BOLT-ON ADAPTER
2	920477	4	TOOTH
3	920479	4	LOCK PIN
4	920467	4	WELD-ON ADAPTER
5	925182	1	BOLT-ON CUTTING EDGE
6	INCLUDED		MOUNTING HARDWARE