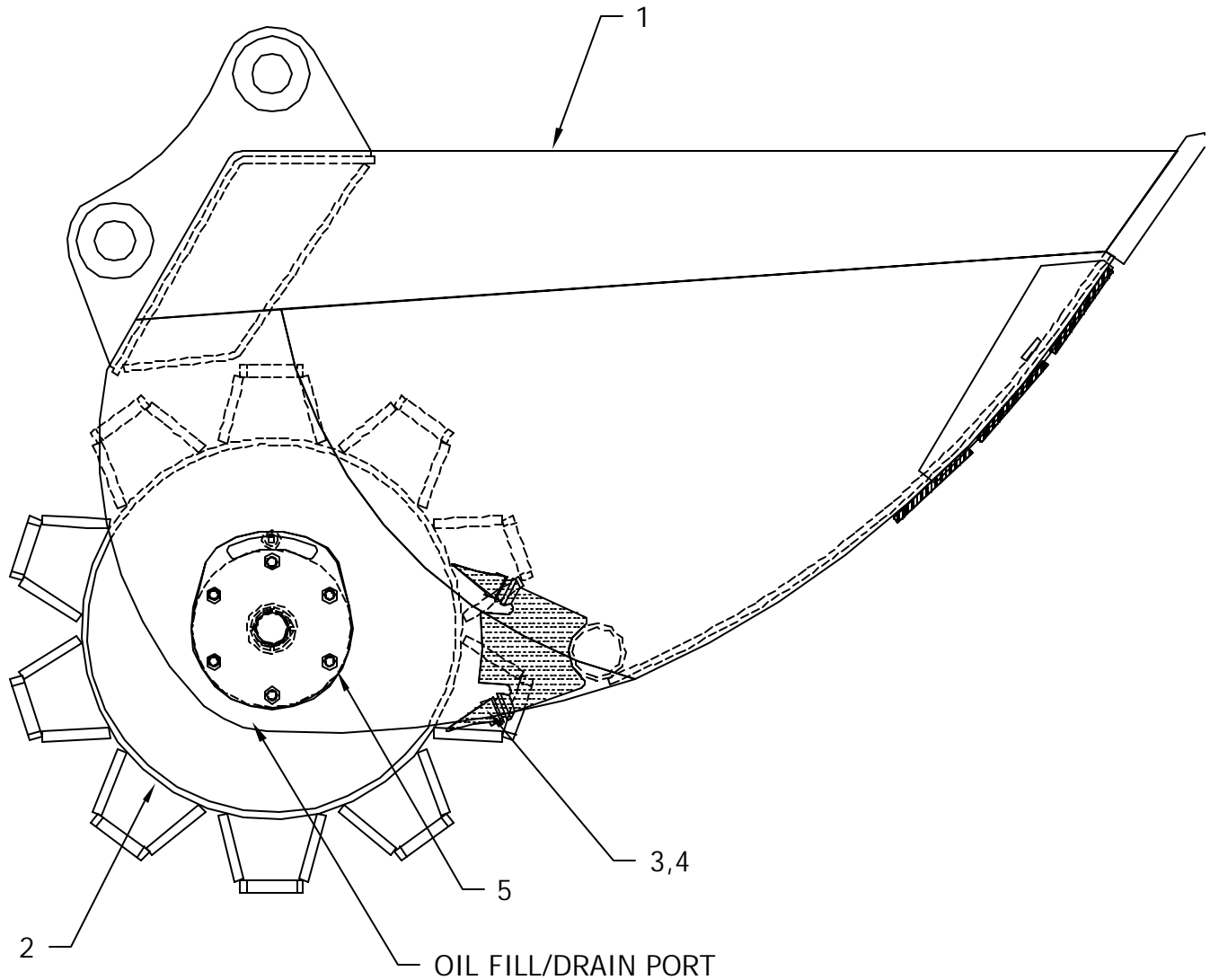
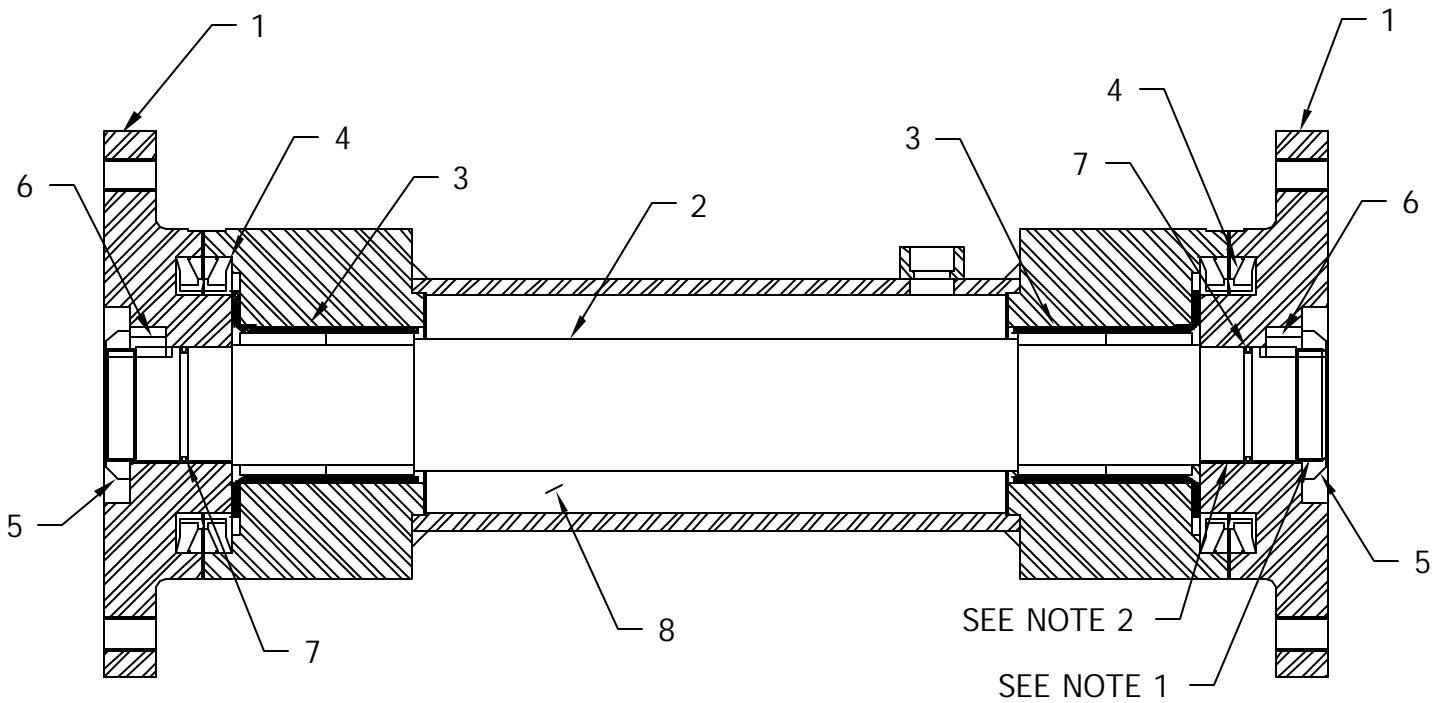


PARTS: 60 x 74 ROLLER BUCKET



| ITEM | PART NUMBER | QTY | DESCRIPTION |
|------|-------------|-----|---|
| 1 | 204709 | 1 | 60 X 74 ROLLER BUCKET SHELL |
| 2 | 203603 | 1 | 60" TAMPING WHEEL, COMPLETE |
| 3 | 920464 | 18 | SCRAPER TOOTH |
| 4 | 920462 | 18 | LOCK PIN |
| 5 | | 18 | $\frac{3}{4}$ x 1 $\frac{3}{4}$ GRD 5 CAP SCREW |

PARTS: 60" 'H' SERIES AXLE ASSEMBLY

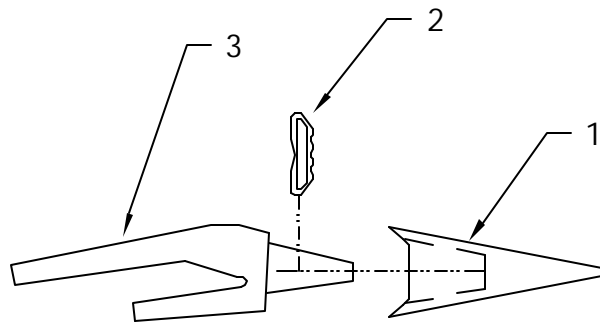


GENERAL NOTES:

1. USE LOCTITE 262 HIGH STRENGTH, AS PER DIRECTIONS, TYPICAL BOTH ENDS.
2. USE LOCTITE 680, AS PER DIRECTIONS, TYPICAL BOTH ENDS.

| ITEM | PART NUMBER | QTY | DESCRIPTION |
|------|-------------|-------|--------------------|
| 1 | 203577 | 2 | CAP |
| 2 | 203578 | 1 | SHAFT ASSEMBLY |
| 3 | 920391 | 2 | BEARING |
| 4 | 920384 | 2 | SEAL |
| 5 | 920416 | 2 | BEARING LOCK NUT |
| 6 | 922140 | 2 | ½" SQUARE KEY x ¾" |
| 7 | 920390 | 2 | O-RING |
| 8 | | 3 QTS | 30 WEIGHT OIL |

OPTIONAL BUCKET PARTS



| <i>ITEM</i> | <i>PART NUMBER</i> | <i>QTY</i> | <i>DESCRIPTION</i> |
|-------------|--------------------|------------|------------------------|
| 1 | ON REQUEST | | TOOTH |
| 2 | ON REQUEST | | LOCK PIN |
| 3 | ON REQUEST | | WELD-ON ADAPTER |