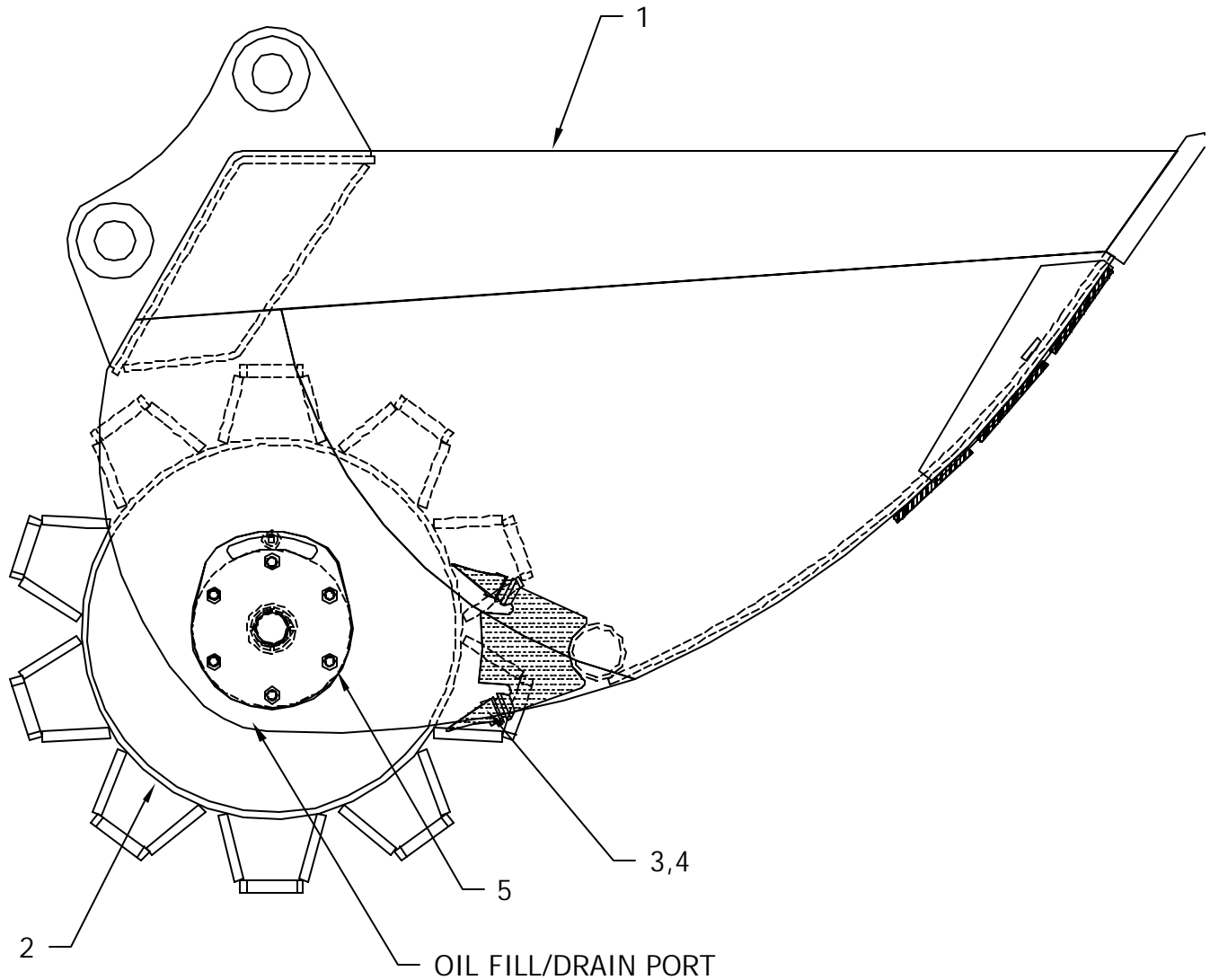
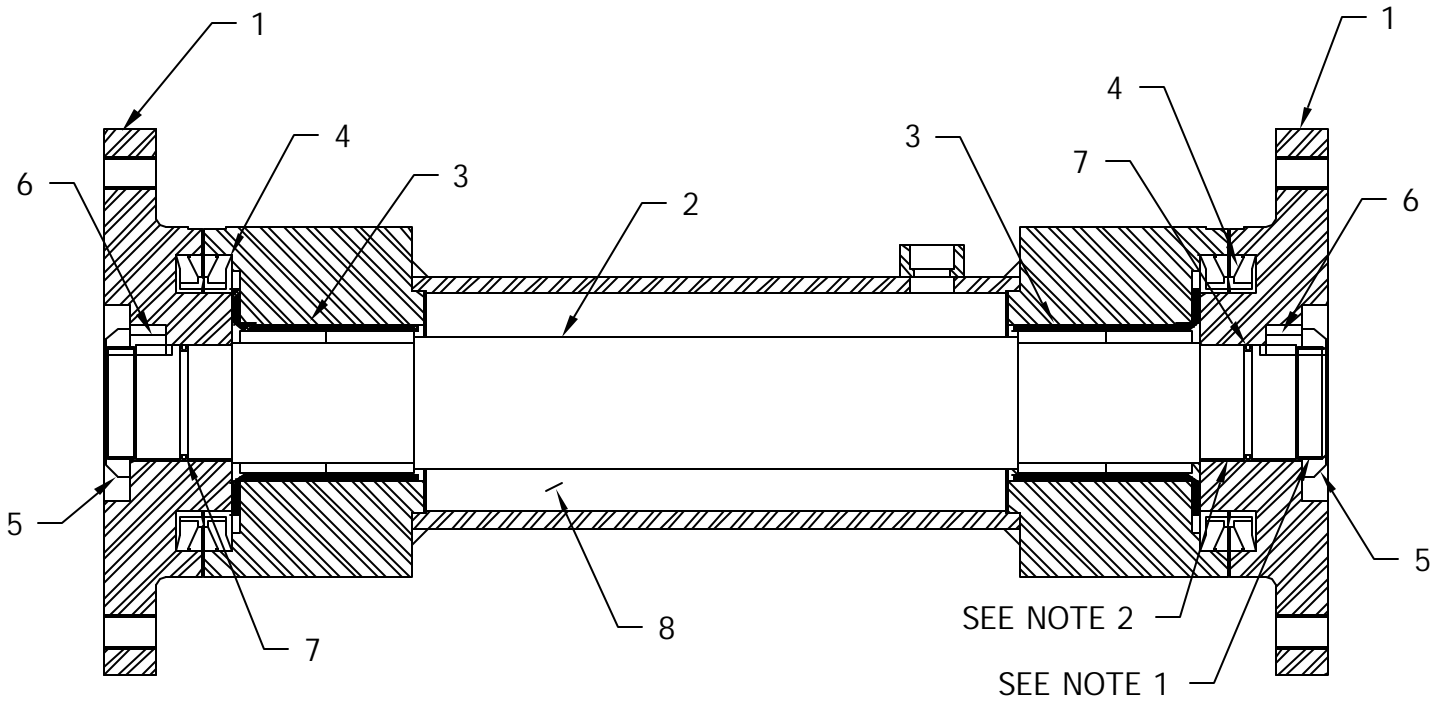


PARTS: 36 x 74 ROLLER BUCKET



ITEM	PART NUMBER	QTY	DESCRIPTION
1	204661	1	36 X 74 ROLLER BUCKET SHELL
2	202242	1	36" TAMPING WHEEL, COMPLETE
3	920464	8	SCRAPER TOOTH
4	920462	8	LOCK PIN
5		12	3/4 x 1 3/4 GRD 5 CAP SCREW

PARTS: 36" 'H' SERIES AXLE ASSEMBLY

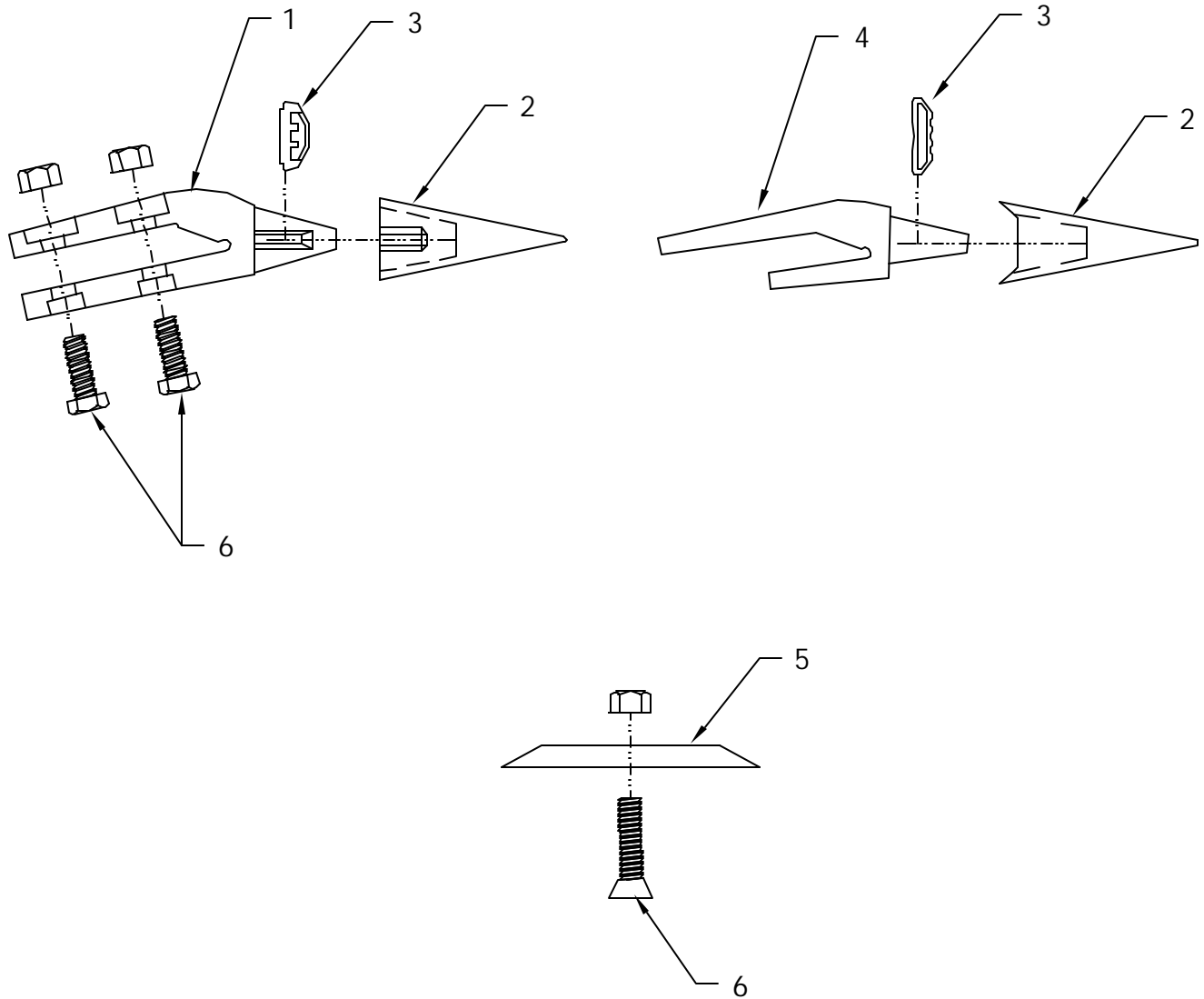


GENERAL NOTES:

1. USE LOCTITE 262 HIGH STRENGTH, AS PER DIRECTIONS, TYPICAL BOTH ENDS.
2. USE LOCTITE 680, AS PER DIRECTIONS, TYPICAL BOTH ENDS.

ITEM	PART NUMBER	QTY	DESCRIPTION
1	203577	2	CAP
2	203585	1	SHAFT ASSEMBLY
3	920391	2	BEARING
4	920384	2	SEAL
5	920416	2	BEARING LOCK NUT
6	922140	2	½" SQUARE KEY x ¾"
7	920390	2	O-RING
8		3 QTS	30 WEIGHT OIL

OPTIONAL BUCKET PARTS



ITEM	PART NUMBER	QTY	DESCRIPTION
1	920473	5	BOLT-ON ADAPTER
2	926370	5	TOOTH
3	920480	5	LOCK PIN
4	920472	5	WELD-ON ADAPTER
5	925181	1	BOLT-ON CUTTING EDGE
6	INCLUDED		MOUNTING HARDWARE