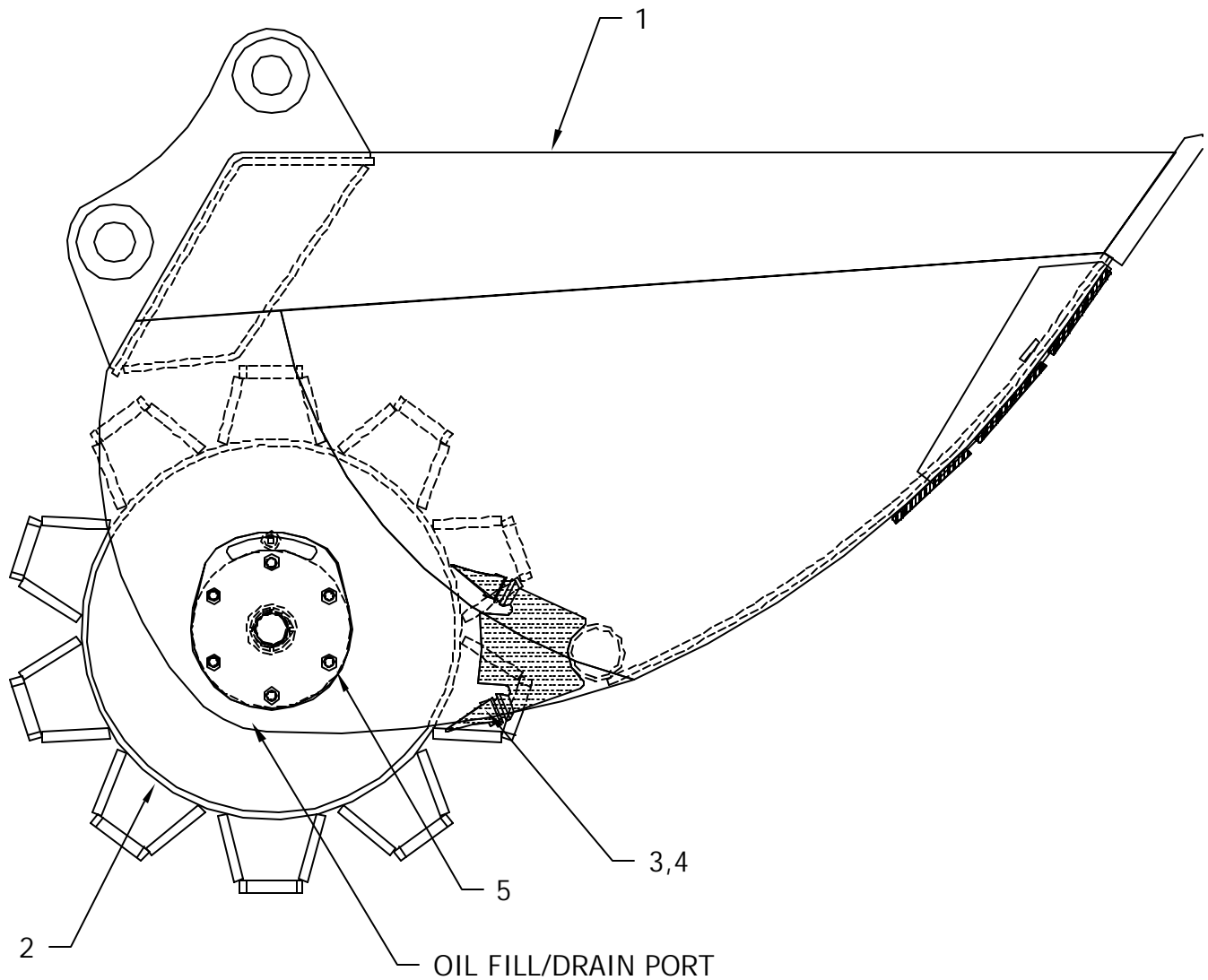
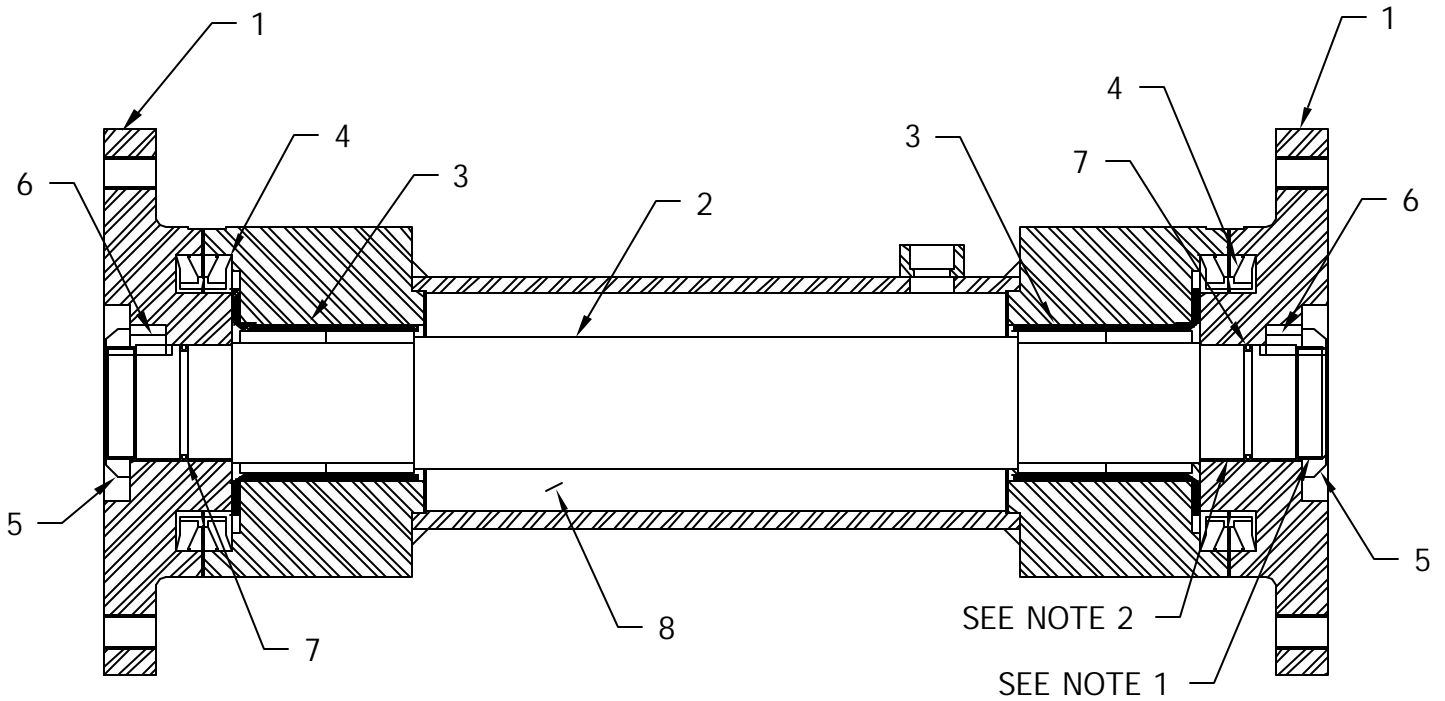


# PARTS: 24 x 74 ROLLER BUCKET



ITEM	PART NUMBER	QTY	DESCRIPTION
1	204659	1	24 X 74 ROLLER BUCKET SHELL
2	202240	1	24" TAMPING WHEEL, COMPLETE
3	920464	6	SCRAPER TOOTH
4	920462	6	LOCK PIN
5		12	3/4 x 1 3/4 GRD 5 CAP SCREW

# PARTS: 24" 'E' SERIES AXLE ASSEMBLY

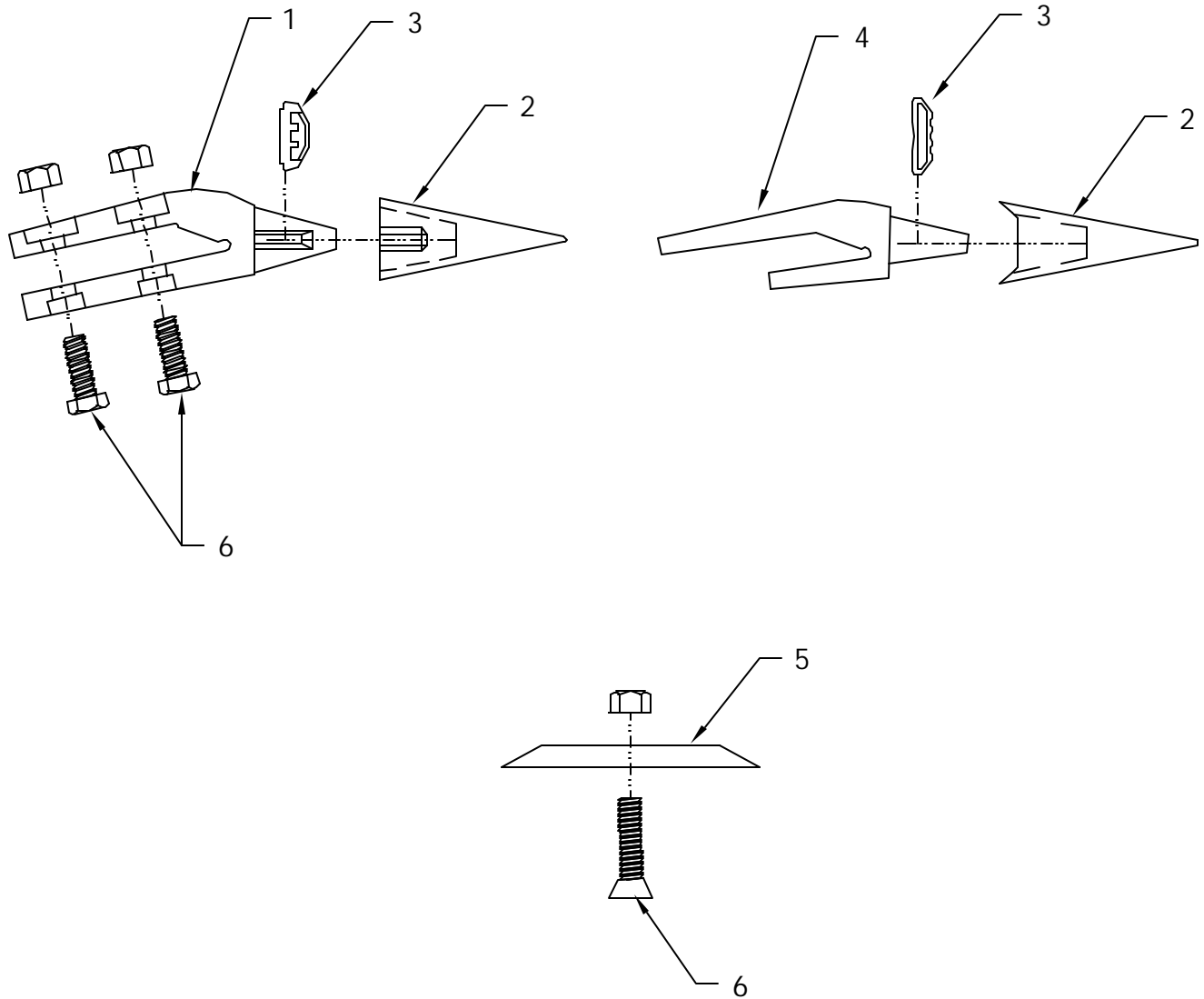


## GENERAL NOTES:

1. USE LOCTITE 262 HIGH STRENGTH, AS PER DIRECTIONS, TYPICAL BOTH ENDS.
2. USE LOCTITE 680, AS PER DIRECTIONS, TYPICAL BOTH ENDS.

ITEM	PART NUMBER	QTY	DESCRIPTION
1	203116	2	CAP
2	203209	1	SHAFT ASSEMBLY
3	920391	2	BEARING
4	920384	2	SEAL
5	920416	2	BEARING LOCK NUT
6	922140	2	1/2" SQUARE KEY x 3/4"
7	920390	2	O-RING
8		3 QTS	30 WEIGHT OIL

# OPTIONAL BUCKET PARTS



ITEM	PART NUMBER	QTY	DESCRIPTION
1	920473	3	BOLT-ON ADAPTER
2	926370	3	TOOTH
3	920480	3	LOCK PIN
4	920472	3	WELD-ON ADAPTER
5	925186	1	BOLT-ON CUTTING EDGE
6	INCLUDED		MOUNTING HARDWARE